

---

## DOOR HARDWARE SCHEDULE

---

<b>Project :</b>	<b>1 Kingswood Crt, Merricks Beach</b>	<b>Project ID:</b>	<b>5355</b>
<b>Description:</b>	<b>Door Hardware Schedule (Polished Stainless Steel)</b>	<b>Job No:</b>	<b>73481</b>

---

**Date:** Friday, 1 November 2019

**Contact Person:** Steven Kyzintas

**Company:** Architecture Works Pty Ltd

**Consultant:** Chris McKenzie

**Payment Terms:** 50% deposit and 50% Payment on Delivery.

**Delivery Time:** 2 weeks from date of order. (approximate only).  
Please note: Delivery costs have not been included in this quotation and will be applied to each delivery based on your instructions provided at the time of dispatch.

**Returns:** Goods previously delivered to site will be deemed as returnable only if they are returned in their packaging in a saleable condition.  
Any goods returned that are not in a saleable condition will not be refunded.  
25% handling fees will apply on returned goods.  
Custom finished products are not refundable.  
Cylinders and Keys are not refundable.  
Order in products may not be refundable or may attract higher percentage handling fees.

**Warranty:** Twelve Month, Back to Base Warranty on faulty workmanship and/or materials.  
Product finishes or products improperly maintained or misused will not be covered nor will any indirect or consequential damages, cost of removal, repair and /or replacement.

---

**Style Finish Design Pty Ltd**

1a, 273-275 Wickham Rd, Moorabbin Vic 3189 Australia  
Telephone: 61 3 8574 7999 Website: [www.stylefinishdesign.com.au](http://www.stylefinishdesign.com.au) Email: [sales@style.net.au](mailto:sales@style.net.au)  
A.B.N. 94 312 700 736 A.C.N. 104 925 073

National Australia Bank  
BSB: 083 376  
Account: 12 321 9774

# DOOR HARDWARE SCHEDULE

**Project :** 1 Kingswood Crt, Merricks Beach **Project ID:** 5355  
**Description:** Door Hardware Schedule (Polished Stainless Steel) **Job No:** 73481

Qty	Product Code	Description	Finish
 1	CYKAA adaptorSP3570.5050	Lockwood Turn Adaptor (Withdraw Latchbolt)	Satin Stainless Steel
 1	CYWS570x.BK	C4 Oval Cylinder with Lockwood Cam 'x' (Retract Latchbolt only) inc. 2 Keys and Keying or Master Keying.	Black
 1	CYWS570z.PC	C4 Oval Cylinder with Lockwood Cam 'z' (Lock/Unlock Door) inc. 2 Keys and Keying or Master Keying.	Polished Chrome
 1	DSSF004.BK	004 Door Stop, Floor Mounted, Solid Stainless Steel Ø35mm 40mm high	Black
 9	DSSF008.PSS	008 Door Stop, Wall Mounted, Ø19mm x 77mm projection. Flat End Rubber Bumper with Optional Round Backplate Ø38mm.	Polished Stainless Steel
 1	EHSFDUO800.BK	DUO Entrance Pull Handles, Stainless Steel, 32mm Ø x 800mm CTC (Back to Back Pair)	Black
 2	ESSFR52LCY.BK	Cylinder Escutcheon, Round, Oval Punch, Stainless Steel, Ø52mm Two part 'A' type concealed fix. (Each)	Black
 1	ESSFR52LCY.PSS	Cylinder Escutcheon, Round, Oval Punch, Stainless Steel, Ø52mm Two part 'A' type concealed fix. (Each)	Polished Stainless Steel
 4	FPSFEdgeRR.70SN	Sliding Door Edge Pull Handle, Round End, H70mm x W16mm x D19mm	Satin Nickel
 8	FPSFR.150.PSS	Oval, Sliding Door, Flush Pull Handle (Single). Solid Stainless Steel. 150mm x 50mm. Invisible Fix (no screw holes)	Polished Stainless Steel





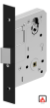


**Style Finish Design Pty Ltd**

1a, 273-275 Wickham Rd, Moorabbin Vic 3189 Australia  
 Telephone: 61 3 8574 7999 Website: www.stylefinishdesign.com.au Email: sales@style.net.au  
 A.B.N. 94 312 700 736 A.C.N. 104 925 073

National Australia Bank  
 BSB: 083 376  
 Account: 12 321 9774

# DOOR HARDWARE SCHEDULE

**Project :** 1 Kingswood Crt, Merricks Beach **Project ID:** 5355  
**Description:** Door Hardware Schedule (Polished Stainless Steel) **Job No:** 73481

Qty	Product Code	Description	Finish
 24	HISF107525BTFP.PSS	Hinge 100mm x 75mm x 2.5mm, Stainless Steel, Button Tipped, Fixed Pin (w/timber and metal thread Screws)	Polished Stainless Steel
 3	HISF107525BTLOL.PSS	Lift Off Hinge, LEFT HAND, 100mm x 75mm x 2.5mm, Stainless Steel, Button Tipped (w/timber and metal thread Screws)	Polished Stainless Steel
 2	KYWSCMK	Construction Keying	
 8	LASFBT.60.7.6.PSS	Tube Latch, Bolt Through, 7.6mm Brass Hub - 60mm Backset	Polished Stainless Steel
 9	LHSFCETR52.PSS	CETINA Door Handles on Ø52mm Rose (Pair)	Polished Stainless Steel
 1	MLKAMS2.60.BK	Mortice Lock Case, 60mm Backset with Anti-lockout (kick-off) as standard, Fire Rated	Black
 1	MLKAMS2.60.PSS	Mortice Lock Case, 60mm Backset with Anti-lockout (kick-off) as standard, Fire Rated	Polished Stainless Steel
 2	PSSFPB4.60.PSS	Tubular Mortise Bolt 4.5mm Universal Spindle	Polished Stainless Steel
 2	PSSFR52ER.PSS	Emergency Release on Ø52mm Rose. 4.5mm x 4.5mm Square Spindle.	Polished Stainless Steel



**Style Finish Design Pty Ltd**

1a, 273-275 Wickham Rd, Moorabbin Vic 3189 Australia  
 Telephone: 61 3 8574 7999 Website: www.stylefinishdesign.com.au Email: sales@style.net.au  
 A.B.N. 94 312 700 736 A.C.N. 104 925 073

National Australia Bank  
 BSB: 083 376  
 Account: 12 321 9774

# DOOR HARDWARE SCHEDULE









**Project :** 1 Kingswood Crt, Merricks Beach **Project ID:** 5355  
**Description:** Door Hardware Schedule (Polished Stainless Steel) **Job No:** 73481

	Qty	Product Code	Description	Finish
	1	PSSFR52PT.BK	Thumb Turn on Ø52mm Rose. Universal Spindle (Two Part, Concealed Fix.)	Black
	3	PSSFR52PT.PSS	Thumb Turn on Ø52mm Rose. Universal Spindle (Two Part, Concealed Fix.)	Polished Stainless Steel


# DOOR HARDWARE SCHEDULE

Project : 1 Kingswood Crt, Merricks Beach Project ID: 5355  
 Description: Door Hardware Schedule (Polished Stainless Steel) Job No: 73481

## D.01 - Entry - Single Entrance Handle Lockset, Floor Pivot, Door Stop Floor No. of Doors: 1

Floor Pivot by others					
Qty	Product Code	Description		Finish	
	1	CYKAAdaptorSP3570.	Lockwood Turn Adaptor (Withdraw Latchbolt)		Satin Stainless Steel
	1	CYWS570x.BK	C4 Oval Cylinder with Lockwood Cam 'x' (Retract Latchbolt only) inc. 2 Keys and Keying or Master Keying.		Black
	1	DSSF004.BK	004 Door Stop, Floor Mounted, Solid Stainless Steel Ø35mm 40mm high		Black
	1	EHSFDUO800.BK	DUO Entrance Pull Handles, Stainless Steel, 32mm Ø x 800mm CTC (Back to Back Pair)		Black
	2	ESSFR52LCY.BK	Cylinder Escutcheon, Round, Oval Punch, Stainless Steel, Ø52mm Two part 'A' type concealed fix. (Each)		Black
	1	KYWSCMK	Construction Keying		
	1	MLKAMS2.60.BK	Mortice Lock Case, 60mm Backset with Anti-lockout (kick-off) as standard, Fire Rated		Black
	1	PSSFR52PT.BK	Thumb Turn on Ø52mm Rose. Universal Spindle (Two Part, Concealed Fix.)		Black

## D.02 - Dining/Living 2 - Single Sliding Door Set, Fully Recessed No. of Doors: 1

Sliding Door Track by others					
Qty	Product Code	Description		Finish	
	1	FPSFEdgeRR.70SN	Sliding Door Edge Pull Handle, Round End, H70mm x W16mm x D19mm		Satin Nickel
	2	FPSFRR.150.PSS	Oval, Sliding Door, Flush Pull Handle (Single). Solid Stainless Steel. 150mm x 50mm. Invisible Fix (no screw holes)		Polished Stainless Steel

## D.03 - Living 2/Bed 1 - Single Sliding Door Set, Fully Recessed No. of Doors: 1

Sliding Door Track by others					
Qty	Product Code	Description		Finish	
	1	FPSFEdgeRR.70SN	Sliding Door Edge Pull Handle, Round End, H70mm x W16mm x D19mm		Satin Nickel
	2	FPSFRR.150.PSS	Oval, Sliding Door, Flush Pull Handle (Single). Solid Stainless Steel. 150mm x 50mm. Invisible Fix (no screw holes)		Polished Stainless Steel

### Style Finish Design Pty Ltd

1a, 273-275 Wickham Rd, Moorabbin Vic 3189 Australia  
 Telephone: 61 3 8574 7999 Website: www.stylefinishdesign.com.au Email: sales@style.net.au  
 A.B.N. 94 312 700 736 A.C.N. 104 925 073

National Australia Bank  
 BSB: 083 376  
 Account: 12 321 9774

# DOOR HARDWARE SCHEDULE





Project : 1 Kingswood Crt, Merricks Beach Project ID: 5355  
 Description: Door Hardware Schedule (Polished Stainless Steel) Job No: 73481

**D.04 - Bed 1/Ensuite - Single Sliding Door Set, Fully Recessed** **No. of Doors: 1**





**Sliding Door Track by others**

Qty	Product Code	Description	Finish
 1	FPSFEdgeRR.70SN	Sliding Door Edge Pull Handle, Round End, H70mm x W16mm x D19mm	Satin Nickel
 2	FPSFRR.150.PSS	Oval, Sliding Door, Flush Pull Handle (Single). Solid Stainless Steel. 150mm x 50mm. Invisible Fix (no screw holes)	Polished Stainless Steel

**D.05 - Bed 1 - Single Passage Set, Hinges, Door Stop Wall** **No. of Doors: 1**

Qty	Product Code	Description	Finish
 1	DSSF008.PSS	008 Door Stop, Wall Mounted, Ø19mm x 77mm projection. Flat End Rubber Bumper with Optional Round Backplate Ø38mm.	Polished Stainless Steel
 3	HISF107525BTFP.PS	Hinge 100mm x 75mm x 2.5mm, Stainless Steel, Button Tipped, Fixed Pin (w/timber and metal thread Screws)	Polished Stainless Steel
 1	LASFBT.60.7.6.PSS	Tube Latch, Bolt Through, 7.6mm Brass Hub - 60mm Backset	Polished Stainless Steel
 1	LHFCETR52.PSS	CETINA Door Handles on Ø52mm Rose (Pair)	Polished Stainless Steel

**D.06 - Entry Hall/Hall - Single Passage Set, Hinges, Door Stop Wall** **No. of Doors: 1**

Qty	Product Code	Description	Finish
 1	DSSF008.PSS	008 Door Stop, Wall Mounted, Ø19mm x 77mm projection. Flat End Rubber Bumper with Optional Round Backplate Ø38mm.	Polished Stainless Steel
 3	HISF107525BTFP.PS	Hinge 100mm x 75mm x 2.5mm, Stainless Steel, Button Tipped, Fixed Pin (w/timber and metal thread Screws)	Polished Stainless Steel
 1	LASFBT.60.7.6.PSS	Tube Latch, Bolt Through, 7.6mm Brass Hub - 60mm Backset	Polished Stainless Steel
 1	LHFCETR52.PSS	CETINA Door Handles on Ø52mm Rose (Pair)	Polished Stainless Steel

**Style Finish Design Pty Ltd**




1a, 273-275 Wickham Rd, Moorabbin Vic 3189 Australia  
 Telephone: 61 3 8574 7999 Website: www.stylefinishdesign.com.au Email: sales@style.net.au  
 A.B.N. 94 312 700 736 A.C.N. 104 925 073

National Australia Bank  
 BSB: 083 376  
 Account: 12 321 9774

# DOOR HARDWARE SCHEDULE

Project : 1 Kingswood Crt, Merricks Beach Project ID: 5355  
 Description: Door Hardware Schedule (Polished Stainless Steel) Job No: 73481

**D.07 - Bed 3 - Single Passage Set, Hinges, Door Stop Wall** **No. of Doors: 1**

	Qty	Product Code	Description	Finish
	1	DSSF008.PSS	008 Door Stop, Wall Mounted, Ø19mm x 77mm projection. Flat End Rubber Bumper with Optional Round Backplate Ø38mm.	Polished Stainless Steel
	3	HISF107525BTFP.PS	Hinge 100mm x 75mm x 2.5mm, Stainless Steel, Button Tipped, Fixed Pin (w/timber and metal thread Screws)	Polished Stainless Steel
	1	LASFBT.60.7.6.PSS	Tube Latch, Bolt Through, 7.6mm Brass Hub - 60mm Backset	Polished Stainless Steel
	1	LHSCETR52.PSS	CETINA Door Handles on Ø52mm Rose (Pair)	Polished Stainless Steel

**D.08 - Bath - Single Passage Set, Privacy Set, Hinges, Door Stop Wall** **No. of Doors: 1**

	Qty	Product Code	Description	Finish
	1	DSSF008.PSS	008 Door Stop, Wall Mounted, Ø19mm x 77mm projection. Flat End Rubber Bumper with Optional Round Backplate Ø38mm.	Polished Stainless Steel
	3	HISF107525BTFP.PS	Hinge 100mm x 75mm x 2.5mm, Stainless Steel, Button Tipped, Fixed Pin (w/timber and metal thread Screws)	Polished Stainless Steel
	1	LASFBT.60.7.6.PSS	Tube Latch, Bolt Through, 7.6mm Brass Hub - 60mm Backset	Polished Stainless Steel
	1	LHSCETR52.PSS	CETINA Door Handles on Ø52mm Rose (Pair)	Polished Stainless Steel
	1	PSSFPB4.60.PSS	Tubular Mortise Bolt 4.5mm Universal Spindle	Polished Stainless Steel
	1	PSSFR52ER.PSS	Emergency Release on Ø52mm Rose. 4.5mm x 4.5mm Square Spindle.	Polished Stainless Steel
	1	PSSFR52PT.PSS	Thumb Turn on Ø52mm Rose. Universal Spindle (Two Part, Concealed Fix.)	Polished Stainless Steel

**Style Finish Design Pty Ltd**

1a, 273-275 Wickham Rd, Moorabbin Vic 3189 Australia  
 Telephone: 61 3 8574 7999 Website: www.stylefinishdesign.com.au Email: sales@style.net.au  
 A.B.N. 94 312 700 736 A.C.N. 104 925 073

National Australia Bank  
 BSB: 083 376  
 Account: 12 321 9774





# DOOR HARDWARE SCHEDULE

Project : 1 Kingswood Crt, Merricks Beach Project ID: 5355  
 Description: Door Hardware Schedule (Polished Stainless Steel) Job No: 73481

**D.09 - WC - Single Passage Set, Privacy Set, Lift-off Hinges LEFT, Door Stop Wall** **No. of Doors: 1**

	Qty	Product Code	Description	Finish
	1	DSSF008.PSS	008 Door Stop, Wall Mounted, Ø19mm x 77mm projection. Flat End Rubber Bumper with Optional Round Backplate Ø38mm.	Polished Stainless Steel
	3	HISF107525BTLOL.PS	Lift Off Hinge, LEFT HAND, 100mm x 75mm x 2.5mm, Stainless Steel, Button Tipped (w/timber and metal thread Screws)	Polished Stainless Steel
	1	LASFBT.60.7.6.PSS	Tube Latch, Bolt Through, 7.6mm Brass Hub - 60mm Backset	Polished Stainless Steel
	1	LHFCETR52.PSS	CETINA Door Handles on Ø52mm Rose (Pair)	Polished Stainless Steel
	1	PSSFPB4.60.PSS	Tubular Mortise Bolt 4.5mm Universal Spindle	Polished Stainless Steel
	1	PSSFR52ER.PSS	Emergency Release on Ø52mm Rose. 4.5mm x 4.5mm Square Spindle.	Polished Stainless Steel
	1	PSSFR52PT.PSS	Thumb Turn on Ø52mm Rose. Universal Spindle (Two Part, Concealed Fix.)	Polished Stainless Steel

**D.10 - Laundry - Single Passage Set, Hinges, Door Stop Wall** **No. of Doors: 1**

	Qty	Product Code	Description	Finish
	1	DSSF008.PSS	008 Door Stop, Wall Mounted, Ø19mm x 77mm projection. Flat End Rubber Bumper with Optional Round Backplate Ø38mm.	Polished Stainless Steel
	3	HISF107525BTFP.PS	Hinge 100mm x 75mm x 2.5mm, Stainless Steel, Button Tipped, Fixed Pin (w/timber and metal thread Screws)	Polished Stainless Steel
	1	LASFBT.60.7.6.PSS	Tube Latch, Bolt Through, 7.6mm Brass Hub - 60mm Backset	Polished Stainless Steel
	1	LHFCETR52.PSS	CETINA Door Handles on Ø52mm Rose (Pair)	Polished Stainless Steel

**Style Finish Design Pty Ltd**

1a, 273-275 Wickham Rd, Moorabbin Vic 3189 Australia  
 Telephone: 61 3 8574 7999 Website: www.stylefinishdesign.com.au Email: sales@style.net.au  
 A.B.N. 94 312 700 736 A.C.N. 104 925 073





National Australia Bank  
 BSB: 083 376  
 Account: 12 321 9774







# DOOR HARDWARE SCHEDULE

Project : 1 Kingswood Crt, Merricks Beach Project ID: 5355  
 Description: Door Hardware Schedule (Polished Stainless Steel) Job No: 73481



## D.11 - Bed 4 - Single Passage Set, Hinges, Door Stop Wall No. of Doors: 1

	Qty	Product Code	Description	Finish
	1	DSSF008.PSS	008 Door Stop, Wall Mounted, Ø19mm x 77mm projection. Flat End Rubber Bumper with Optional Round Backplate Ø38mm.	Polished Stainless Steel
	3	HISF107525BTFP.PS	Hinge 100mm x 75mm x 2.5mm, Stainless Steel, Button Tipped, Fixed Pin (w/timber and metal thread Screws)	Polished Stainless Steel
	1	LASFBT.60.7.6.PSS	Tube Latch, Bolt Through, 7.6mm Brass Hub - 60mm Backset	Polished Stainless Steel
	1	LHFCETR52.PSS	CETINA Door Handles on Ø52mm Rose (Pair)	Polished Stainless Steel

## D.12 - Bed 2 - Single Passage Set, Hinges, Door Stop Wall No. of Doors: 1

	Qty	Product Code	Description	Finish
	1	DSSF008.PSS	008 Door Stop, Wall Mounted, Ø19mm x 77mm projection. Flat End Rubber Bumper with Optional Round Backplate Ø38mm.	Polished Stainless Steel
	3	HISF107525BTFP.PS	Hinge 100mm x 75mm x 2.5mm, Stainless Steel, Button Tipped, Fixed Pin (w/timber and metal thread Screws)	Polished Stainless Steel
	1	LASFBT.60.7.6.PSS	Tube Latch, Bolt Through, 7.6mm Brass Hub - 60mm Backset	Polished Stainless Steel
	1	LHFCETR52.PSS	CETINA Door Handles on Ø52mm Rose (Pair)	Polished Stainless Steel

## D.13 - Bed 2/Ensuite - Single Sliding Door Set, Fully Recessed No. of Doors: 1

<b>Sliding Door Track by others</b>				
	Qty	Product Code	Description	Finish
	1	FPSFEdgeRR.70SN	Sliding Door Edge Pull Handle, Round End, H70mm x W16mm x D19mm	Satin Nickel
	2	FPSFR.150.PSS	Oval, Sliding Door, Flush Pull Handle (Single). Solid Stainless Steel. 150mm x 50mm. Invisible Fix (no screw holes)	Polished Stainless Steel

### Style Finish Design Pty Ltd

1a, 273-275 Wickham Rd, Moorabbin Vic 3189 Australia  
 Telephone: 61 3 8574 7999 Website: www.stylefinishdesign.com.au Email: sales@style.net.au  
 A.B.N. 94 312 700 736 A.C.N. 104 925 073

National Australia Bank  
 BSB: 083 376  
 Account: 12 321 9774

# DOOR HARDWARE SCHEDULE

Project : 1 Kingswood Crt, Merricks Beach Project ID: 5355  
 Description: Door Hardware Schedule (Polished Stainless Steel) Job No: 73481

**D.14 - Hall/External - Single Entry Lockset, Door Stop Wall** **No. of Doors: 1**

	Qty	Product Code	Description	Finish
	1	CYWS570z.PC	C4 Oval Cylinder with Lockwood Cam 'z' (Lock/Unlock Door) inc. 2 Keys and Keying or Master Keying.	Polished Chrome
	1	DSSF008.PSS	008 Door Stop, Wall Mounted, Ø19mm x 77mm projection. Flat End Rubber Bumper with Optional Round Backplate Ø38mm.	Polished Stainless Steel
	1	ESSFR52LCY.PSS	Cylinder Escutcheon, Round, Oval Punch, Stainless Steel, Ø52mm Two part 'A' type concealed fix. (Each)	Polished Stainless Steel
	3	HISF107525BTFP.PS	Hinge 100mm x 75mm x 2.5mm, Stainless Steel, Button Tipped, Fixed Pin (w/timber and metal thread Screws)	Polished Stainless Steel
	1	KYWSCMK	Construction Keying	
	1	LHFCETR52.PSS	CETINA Door Handles on Ø52mm Rose (Pair)	Polished Stainless Steel
	1	MLKAMS2.60.PSS	Mortice Lock Case, 60mm Backset with Anti-lockout (kick-off) as standard, Fire Rated	Polished Stainless Steel
	1	PSSFR52PT.PSS	Thumb Turn on Ø52mm Rose. Universal Spindle (Two Part, Concealed Fix.)	Polished Stainless Steel

**Style Finish Design Pty Ltd**

1a, 273-275 Wickham Rd, Moorabbin Vic 3189 Australia  
 Telephone: 61 3 8574 7999 Website: www.stylefinishdesign.com.au Email: sales@style.net.au  
 A.B.N. 94 312 700 736 A.C.N. 104 925 073

National Australia Bank  
 BSB: 083 376  
 Account: 12 321 9774